

**HITACHI SOLID STATE
STEREOPHONIC RADIO PHONOGRAPH
MODEL DPK-340
SERVICE MANUAL**



DPK-340

NO. 44

1972

1. SPECIFICATIONS

FM SECTION

Frequency range	88 - 108MHz
Usable sensitivity (IHF)	3.0 μ V
Image rejection	50dB
IF rejection	70dB
Distortion	MONO 0.5%
	STEREO 1.2%
Signal to noise ratio	60dB
Stereo separation	30dB (1kHz)

AM SECTION

Frequency range	530 - 1605kHz
Usable sensitivity (IHF)	20 μ V
Image rejection	35dB
IF rejection	40dB

AUDIO SECTION

Frequency response	20 - 20000Hz
Total peak power	50W
Music power (8 Ω)	20W/ch
RMS power (5% THD) (8 Ω)	13W/ch

PLAYER BSR C-141

SPEAKER 6-1/2" Woofer
2" Tweeter

ACCESSORIES

AFC, Muting, Mode, Stereo indicator, Tuning meter, Head-phone jack, Stereo & Matrix

POWER CONSUMPTION AC 120V 60Hz 63W

DIMENSIONS

Center box 18-3/16(W) x 10-1/32(H) x 15-23/64(D) in.
(461 x 255 x 390 mm)
Speaker box ... 11-3/16(W) x 18-7/64(H) x 7-3/32(D) in.
(284 x 460 x 180 mm)

WEIGHT 27.5 lbs. (12.5 kg)

2. FEATURES

1. The FM tuner uses a high-performance FET (field-effect transistor) at its front end for minimizing noise and eliminating interference.
2. The FM tuner incorporates a mechanical filter of sharp characteristic in its IF amplifier for improved selectivity and distortion characteristics.
3. The FM stereo multiplex circuit switches automatically for stereo and monaural receptions, so that FM stereo programs can always be received stably.
4. The tuning meter indicates the correct and accurate tuning point.
5. The FM muting circuit enables the optimum reception without interstation noise at both high and low radio field strengths simply by operating the function switch.
6. The complementary ITL-OTL circuit coupled with high-performance HITACHI silicon transistors minimizes the distortion.

3. SERVICE POINT

INSTRUCTION FOR REMOVING CHANGER AND CHASSIS

1. Remove the nylon washers from the lock screws of the changer.
2. Push down the changer firmly and drive in the screw completely.
3. Lift the changer up and remove 2 lock brackets (near the changer lock screw located underneath changer board of the cabinet)
4. Remove 5 chassis screws at the bottom of the cabinet.
5. Then pull the chassis out from the front of the cabinet.

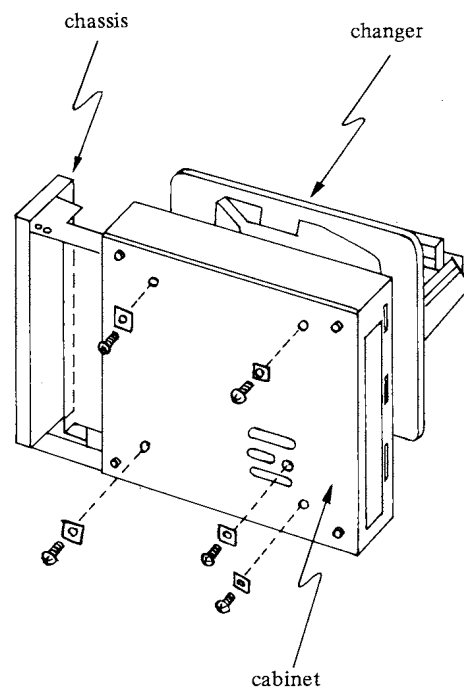


Fig. 1

4. ALIGNMENT INSTRUCTIONS

4-1 AM IF & RF ALIGNMENT

Do not attempt alignment unless the following equipment is available.

Equipment Description

AM Signal Generator, Oscilloscope, AC VTVM

Set function selector switch to AM

Output of signal generator should be no higher than necessary to obtain an out reading.

STEP	SIGNAL GENERATOR		TUNING DIAL SETTING	OUTPUT CONNECTED TO	ADJUSTMENT	REMARKS
	CONNECTED TO	FREQUENCY				
1	Connect the loop antenna to AM Signal Generator	455 kHz	Quieting point on band	Tape recorder "OUT" terminal AC VTVM	T103, T203 & T205	Adjust for maximum output Set VR201 center
2	Connect the loop antenna to AM Signal Generator	600 kHz Input 74dB 400 Hz 30% mod.	600 kHz	Tape recorder "OUT" terminal AC VTVM	L103	Adjust for maximum output
3	Connect the loop antenna to AM Signal Generator	1400 kHz Input 74dB 400 Hz 30% mod.	1400 kHz	Tape recorder "OUT" terminal AC VTVM	TC4	Adjust for maximum output
4	Repeat step 2 & 3 until no further improvement is possible.					
5	Connect the loop antenna to AM Signal Generator	600 kHz Weak input 400 Hz 30% mod.	600 kHz	Tape recorder "OUT" terminal AC VTVM	L1	Adjust for maximum output
6	Connect the loop antenna to AM Signal Generator	1400 kHz Weak input 400 Hz 30% mod.	1400 kHz	Tape recorder "OUT" terminal AC VTVM	TC3	Adjust for maximum output
7	Repeat step 5 & 6 until no further improvement is possible.					
8	Connect the loop antenna to AM Signal Generator	1000 kHz Input 74dB 400Hz 30% mod.	1000 kHz	Tape recorder "OUT" terminal AC VTVM	VR201	Adjust for 250mV \pm 2dB

4-2 FM IF & RF ALIGNMENT

Do not attempt alignment unless the following equipment is available.

Equipment Description

FM Signal Generator, Oscilloscope, DC VTVM, AC VTVM

Set function selector switch to FM, set AFC switch to OFF

STEP	SIGNAL GENERATOR		TUNING DIAL SETTING	OUTPUT CONNECTED TO	ADJUSTMENT	REMARKS
	CONNECTED TO	FREQUENCY				
1	Connect the output of FM Signal Generator to FM antenna terminal	10.7 MHz unmod.	Quieting point on band	C226 ⊖ side DC VTVM Common to ground	T102 T201, T202 T204 & T206	Adjust for maximum output
2	Connect the output of FM Signal Generator to FM antenna terminal	10.7 MHz unmod.	Quieting point on band	Junction R218, R201 DC VTVM Common to ground	T207	Adjust for zero reading
3	Connect the output of FM Signal Generator to FM antenna terminal	90 MHz Input 60dB 400 Hz 75 kHz dev.	90 MHz	Tape recorder "OUT" terminal AC VTVM	L104	Adjust for maximum output
4	Connect the output of FM Signal Generator to FM antenna terminal	106 MHz Input 60dB 400 Hz 75 kHz dev.	106 MHz	Tape recorder "OUT" terminal AC VTVM	TC5	Adjust for maximum output
5	Repeat step 3 & 4 until no further improvement is possible.					
6	Connect the output of FM Signal Generator to FM antenna terminal.	90 MHz Input 20dB 400 Hz 75 kHz dev.	90 MHz	Tape recorder "OUT" terminal AC VTVM	L101 T101	Adjust for maximum output
7	Connect the output of FM Signal Generator to FM antenna terminal	106 MHz Input 20dB 400Hz 75 kHz dev.	106 MHz	Tape recorder "OUT" terminal AC VTVM	TC1 TC2	Adjust for maximum output
8	Repeat step 6 & 7 until no further improvement is possible.					

MODEL DPK-340 SERVICE MANUAL

4-3 AM IF & RF ALIGNMENT WITH SWEEP GENERATOR

Do not attempt alignment unless the following equipment is available.

Equipment Description

AM Sweep Generator, AM Signal Generator, AC VTVM, Oscilloscope

Output of signal generator should be no higher than necessary to obtain an out reading.

Set function selector switch to AM

STEP	SIGNAL GENERATOR		TUNING DIAL SETTING	OUTPUT CONNECTED TO	ADJUSTMENT	REMARKS
	CONNECTED TO	FREQUENCY				
1	One gut on to ferrite antenna something which is turned lead wire three times to genescope output terminal	455kHz	Quieting point on band	Junction R240, VR201	T103 T203, T205	Adjust for maximum output Refer to Fig. 2 Set VR201 center
2	After then, repeat the same procedure said above (AM, IF & RF ALIGNMENT, step 2-8).					

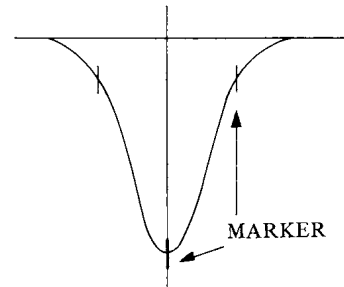


Fig. 2

4-4 FM IF & RF ALIGNMENT WITH SWEEP GENERATOR

Do not attempt alignment unless following equipment is available.

Equipment Description

FM Sweep Generator, FM Signal Generator, AC VTVM, Oscilloscope

Set function selector switch to FM

Set AFC switch to OFF

STEP	SIGNAL GENERATOR		TUNING DIAL SETTING	OUTPUT CONNECTED TO	ADJUSTMENT	REMARKS
	CONNECTED TO	FREQUENCY				
1	Connect the output of genescope to junction R104, L102, C108, R103	10.7 MHz (Sweep generator)	Quieting point on band	FM IF Output (TP)	T207	Core of T207, turn to clockwise
					T102, T201, T202, T204, T206	Adjust for maximum Refer to Fig.3
					T207	Adjust for S curve Refer to Fig. 4
2	After then, repeat the same procedure said above (FM IF & RF ALIGNMENT, step 3-8).					

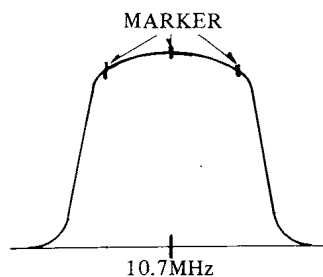


Fig. 3

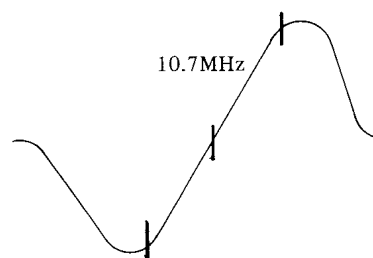


Fig. 4

4-5 MPX ALIGNMENT

Do not attempt alignment unless the following equipment is available.

Equipment Description

- FM Signal Generator
- FM Stereo Modulator
- Oscilloscope
- AC VTVM
- Audio Oscillator
- Set function selector switch to FM
- Set AFC switch to OFF

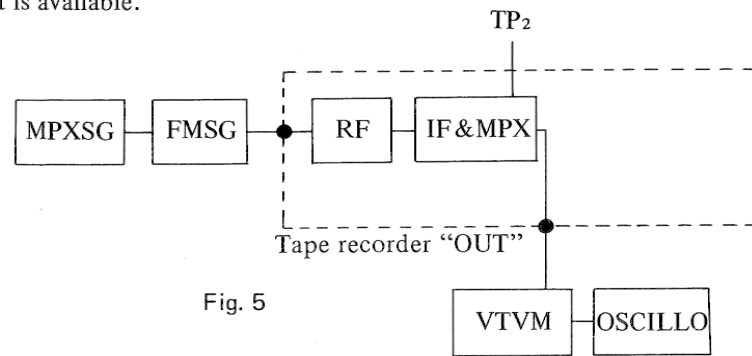


Fig. 5

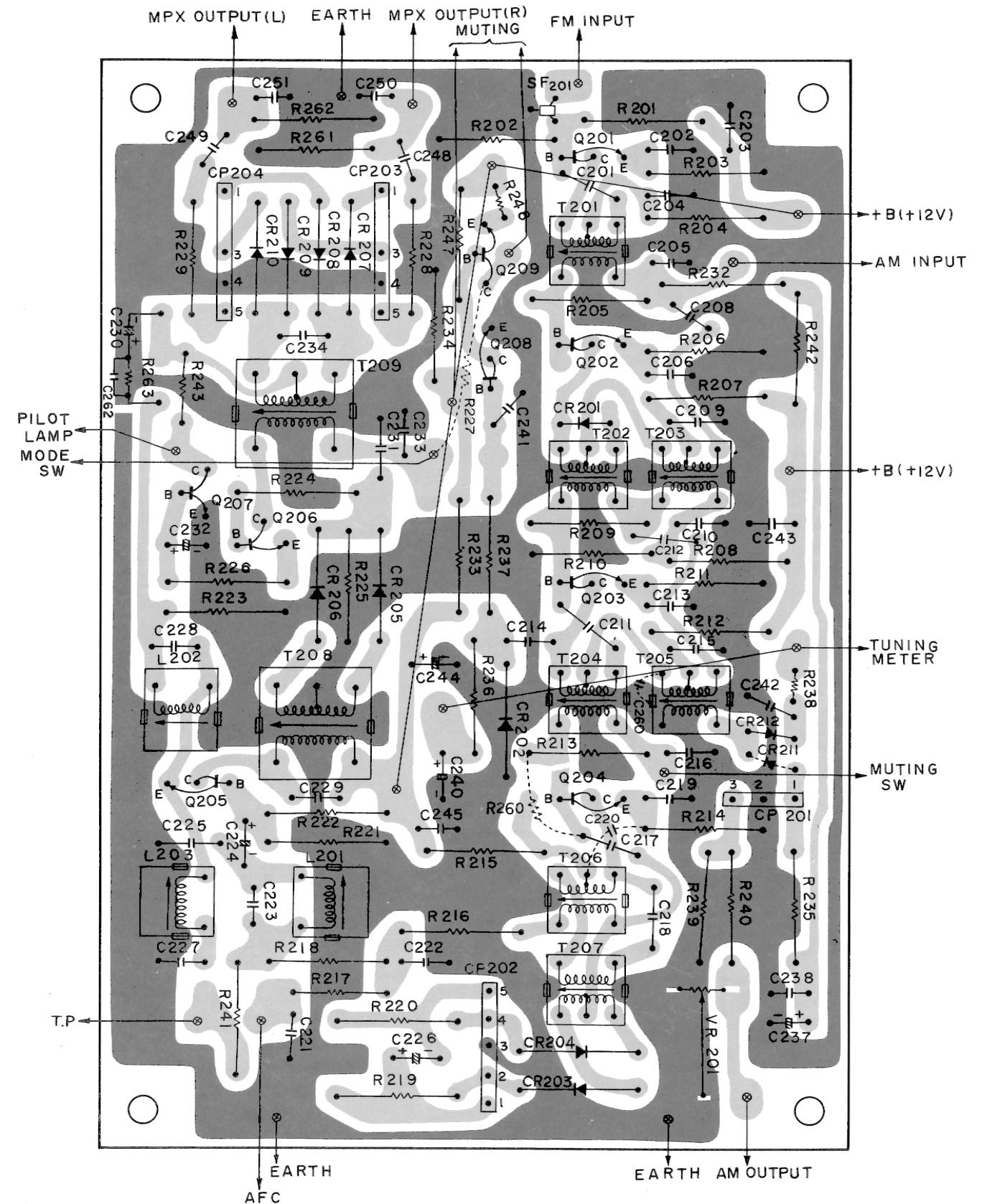
STEP	SIGNAL GENERATOR		TUNING DIAL SETTING	OUTPUT CONNECTED TO	ADJUSTMENT	REMARKS
	CONNECTED TO	FREQUENCY				
1	Connected the output of generator to FM antenna terminal	67 kHz Input 60 dB Used FM Signal Generator only	98 MHz	T209 Center point (Secondary) AC VTVM	L201 L202	Adjust for minimum output
2	Connected the output of generator to FM antenna terminal Refer to Fig. 4	19 kHz Pilot only 7.5 kHz dev. Input 60dB	98 MHz	Junction D207, D209	L203 T208 T209	Adjust for maximum output
3	Connected the output of generator to FM antenna terminal Refer to Fig. 4	19 kHz Pilot 7.5 kHz dev. Composite L (=R) chan. 400Hz 67.5 kHz dev.	98 MHz	Tape recorder "OUT" terminal L channel AC VTVM	T209	Adjust for maximum output
4	Connected the output of generator to FM antenna terminal Refer to Fig. 4	19 kHz Pilot 7.5 kHz dev. Composite L (=R) chan. 400Hz 67.5 kHz dev.	98 MHz	Tape recorder "OUT" terminal R channel AC VTVM	L203 T208 T209	Adjust for minimum output
5	Repeat step 2, 3 & 4 until no further improvement is possible.					

4-6 PREDRIVER/DRIVER ALIGNMENT

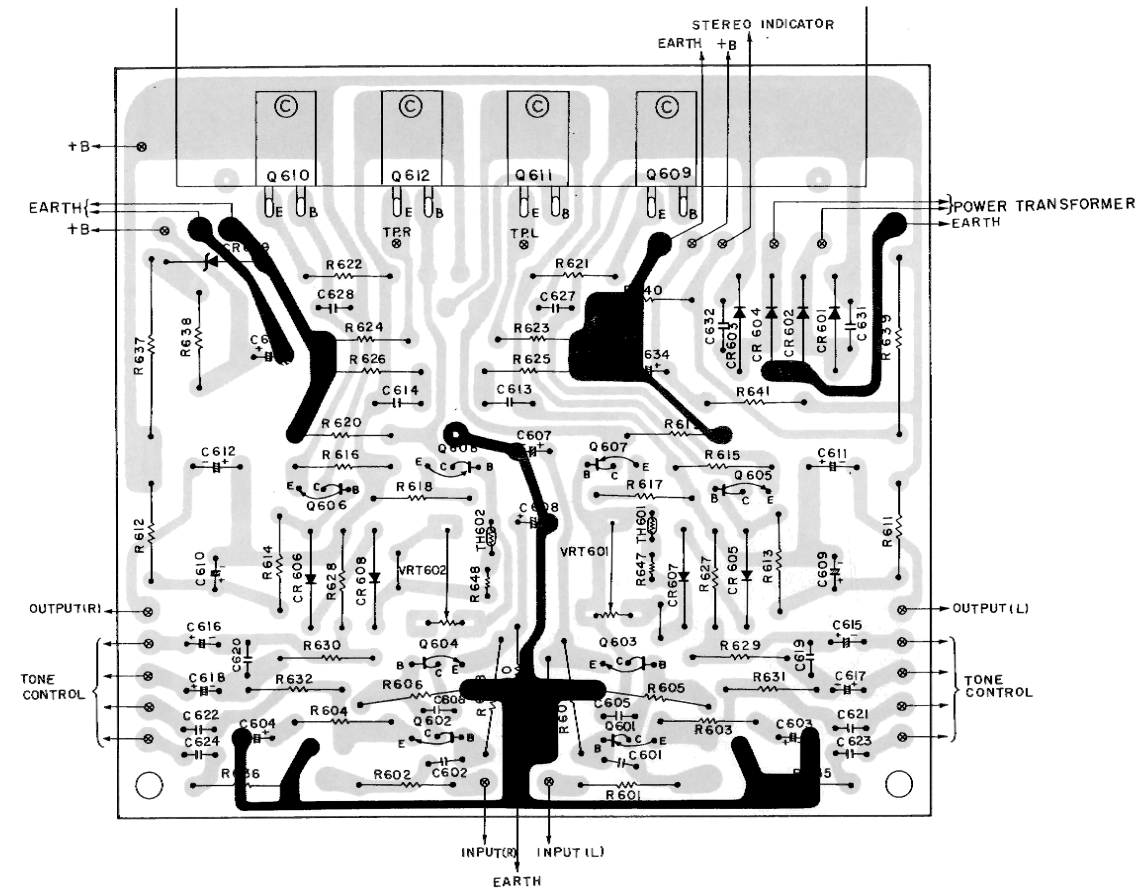
- Set Balance, Bass and Treble control to their center position.
- Set selector switch to AUX.
- Connect 8 ohm resistor across L speaker terminals, in parallel with the load resistor connect the vertical input loads of the oscilloscope and VTVM.
- Connect AC power cord and adjust crossover distortion adjust VR601 until the crossover is extinguished rotate volume control to counter-clockwise position to get 0.1 watt [0.9 RMS VTVM] output. Or adjust idling current, using a DC mV meter, rotate VR601 to obtain a 20mV reading on DC mV meter. (No signal input).
DC mV meter connected Emitter of Q 611 (T.P.L) to Ground.
- Repeat proceeding step for right channel.

5. CIRCUIT BOARD

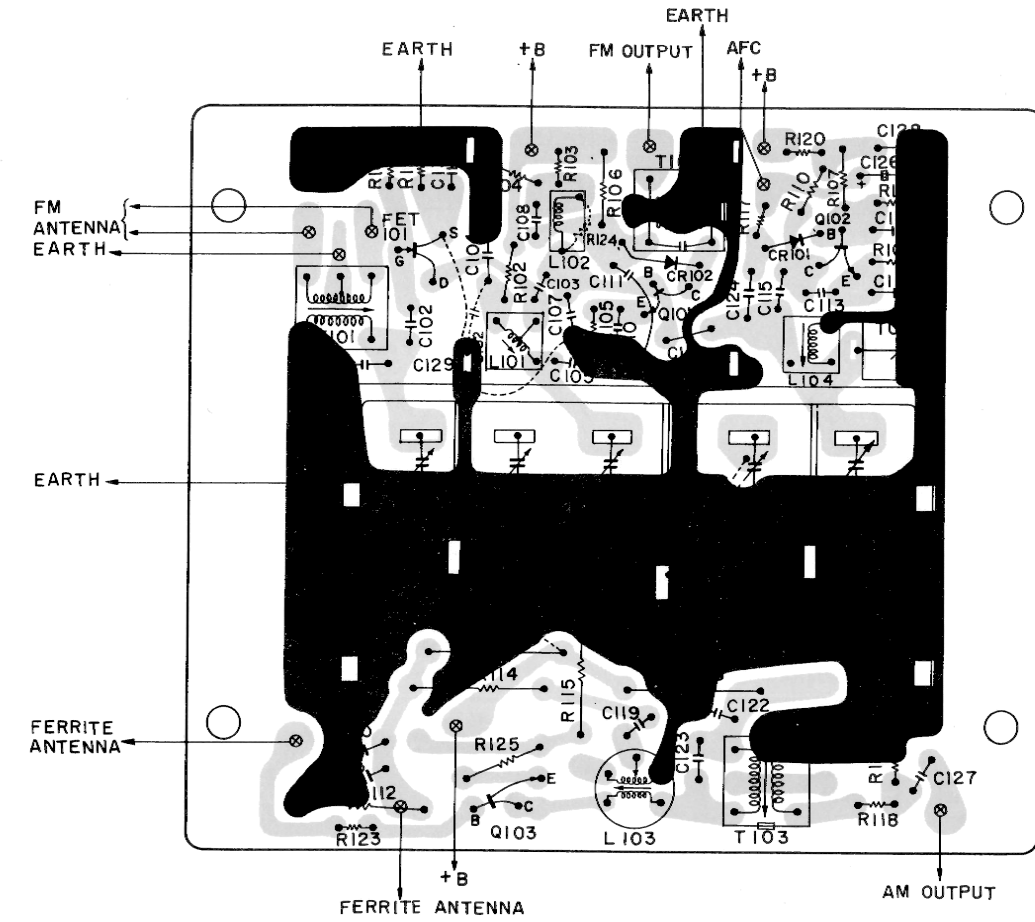
AM-FM IF MPX CIRCUIT BOARD



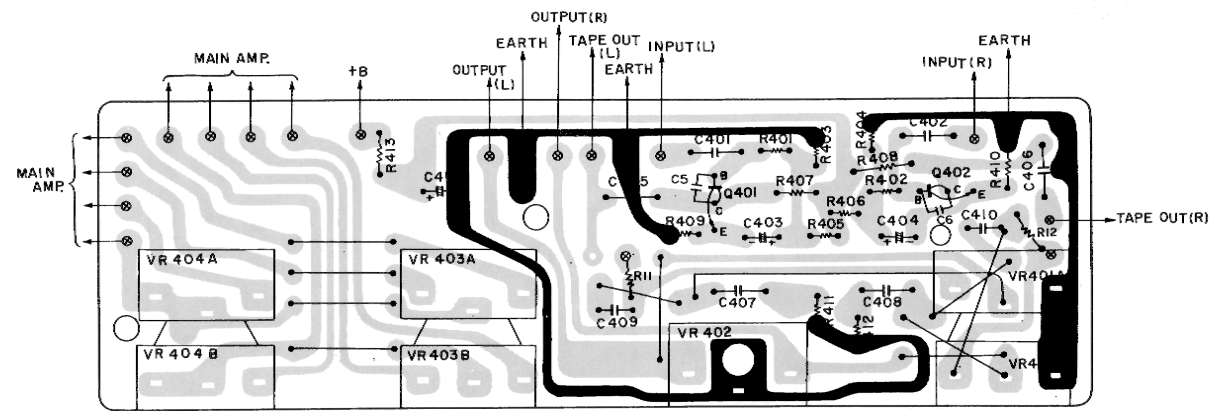
MAIN AMPLIFIER CIRCUIT BOARD



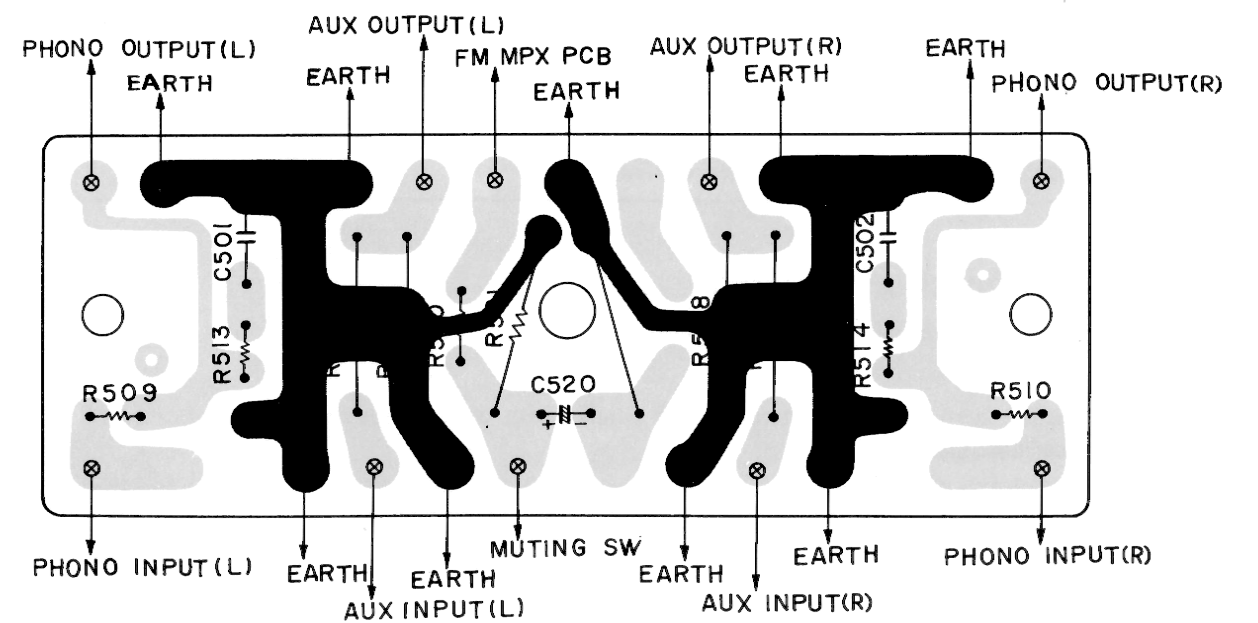
AM-FM RF CIRCUIT BOARD



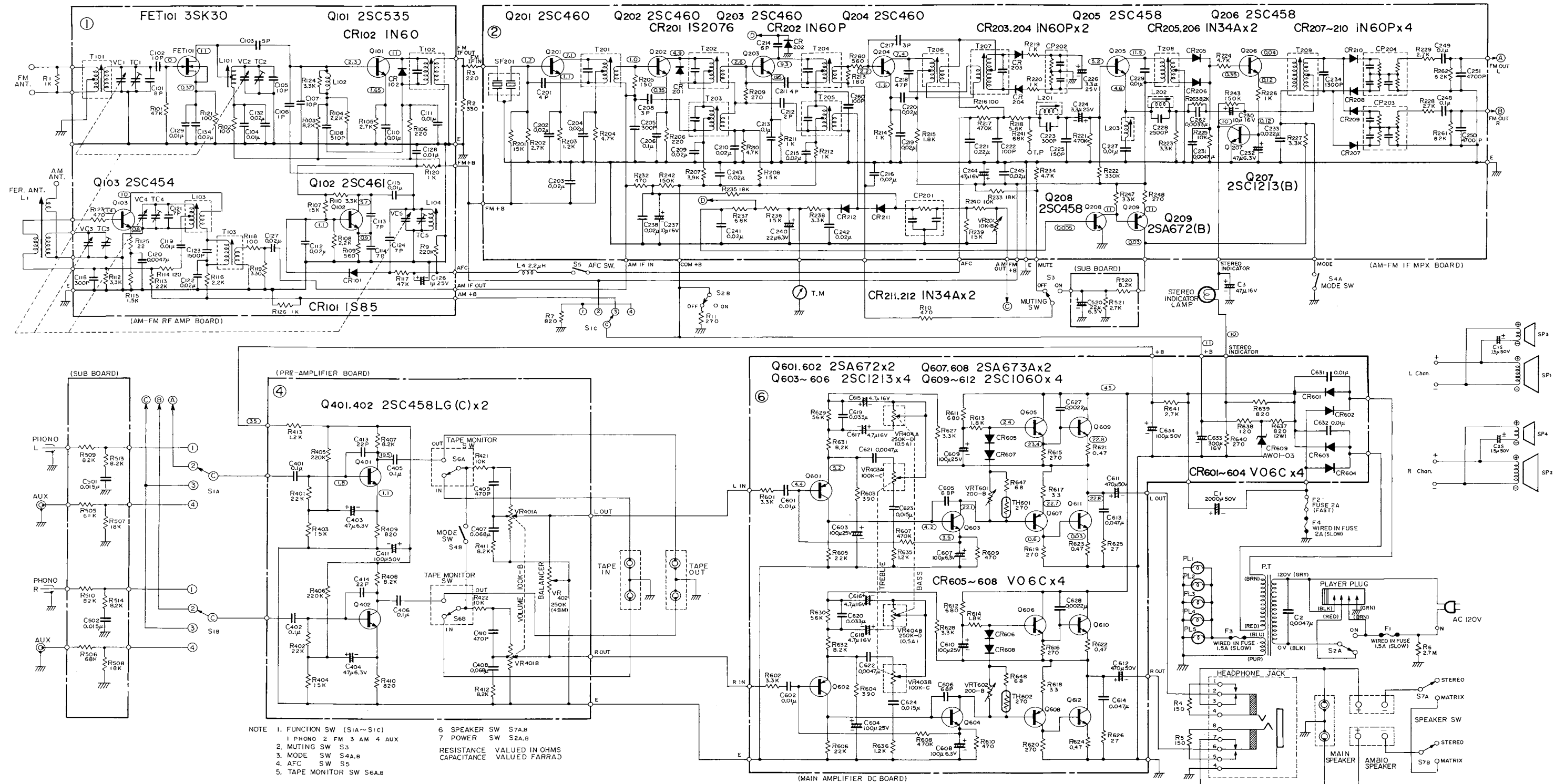
PRE-AMPLIFIER CIRCUIT BOARD



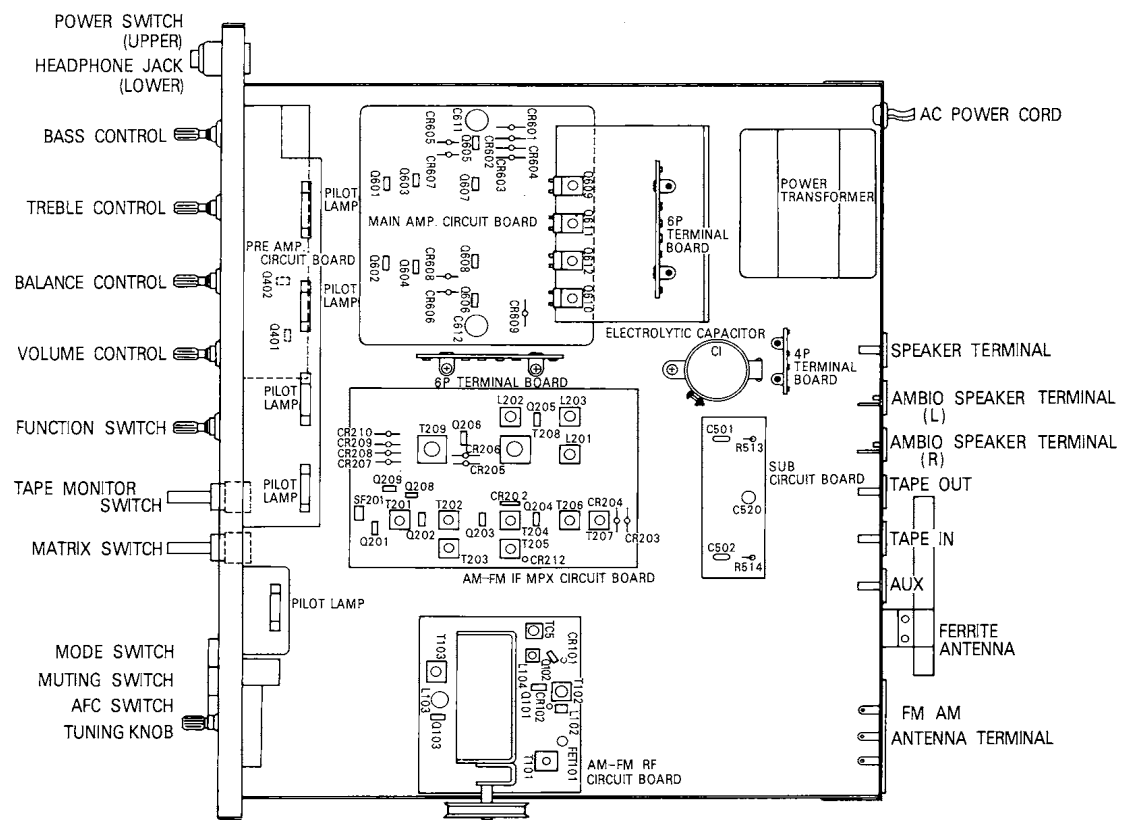
SUB CIRCUIT BOARD



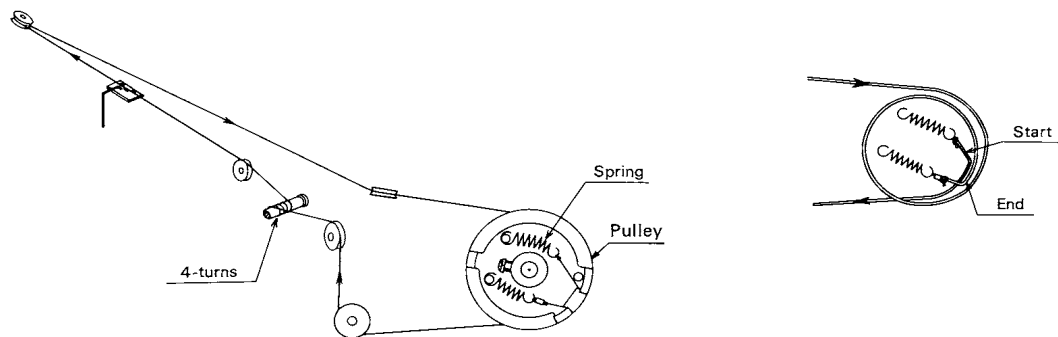
6. CIRCUIT DIAGRAM



7. CHASSIS LAYOUT

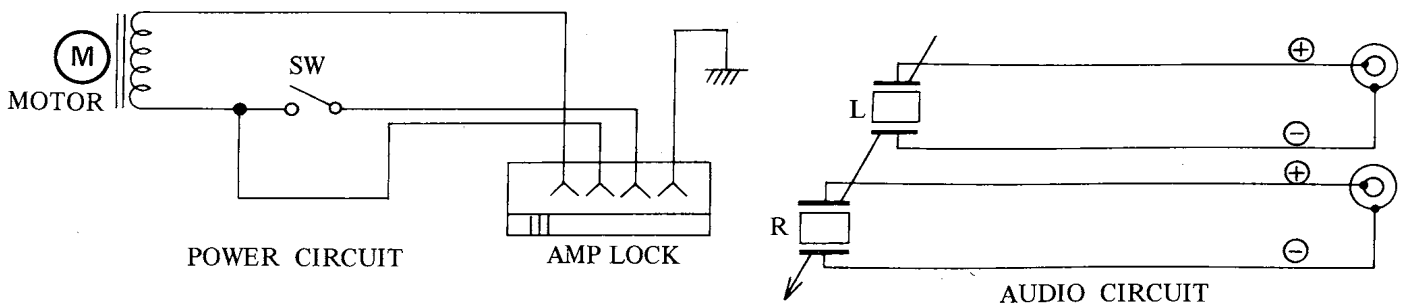


8. DIAL CORD SETTING



Note: 1. The dial thread reel shows the position that the variable condenser is turned to the counter-clockwise direction.
2. The arrows show the direction of thread winding.

9. PLAYER SECTION CIRCUIT DIAGRAM



10. REPLACEMENT PARTS LIST

SYMBOL NO.	STOCK NO.	DESCRIPTION			SYMBOL NO.	STOCK NO.	DESCRIPTION		
CAPACITORS									
for AM-FM RF CIRCUIT BOARD									
C 101	0248648	ceramic, discal	8pF±0.5pF	50V	C 224	0252613	electrolytic	3.3μF	25V
C 102	0248650	ceramic, discal	10pF±5%	50V	C 225	0248728	ceramic, discal	150pF	
C 103	0248635	ceramic, discal	5pF±0.25pF	50V	C 226	0252613	electrolytic	3.3μF	25V
C 104	0245017	ceramic, discal	0.01μF Z	15V	C 227	0221520	styrol	10000pF±5%	
C 105	0248650	ceramic, discal	10pF ±5%	50V	C 228	0221512	styrol	2500pF ±5%	
C 106	0248631	ceramic, discal	1pF ±0.25pF	50V	C 229	0221520	styrol	10000pF±5%	
C 107	0248650	ceramic, discal	10pF ±5%	50V	C 230	0252521	electrolytic	10μF	16V
C 108	0221328	styrol	510pF ±5%	35V	C 231	0274015	mylar, film	0.0047μF	50V
C 110	0245017	ceramic, discal	0.01μF Z	15V	C 232	0252225	electrolytic	47μF	6.3V
C 111	0245017	ceramic, discal	0.01μF Z	15V	C 233	0275013	mylar, film	0.022μF	
C 112	0245018	ceramic, discal	0.02μF Z	15V	C 234	0221338	styrol	1300pF	
C 113	0248647	ceramic, discal	7pF ±0.5pF	50V	C 237	0252521	electrolytic	10μF	16V
C 114	0248647	ceramic, discal	7pF ±0.5pF	50V	C 238	0245018	ceramic, discal	0.02μF	15V
C 115	0245017	ceramic, discal	0.01μF Z	15V	C 240	0252222	electrolytic	22μF	15V
C 118	0221322	styrol	300pF ±5%	50V	C 241	0245018	ceramic, discal	0.02μF	15V
C 119	0275011	mylar, film	0.01μF ±10%	50V	C 242	0245018	ceramic, discal	0.02μF	15V
C 120	0274015	mylar, film	0.0047μF±10%	50V	C 243	0245018	ceramic, discal	0.02μF	15V
C 121	0248647	ceramic, discal	7pF ±0.5pF	50V	C 244	0252525	electrolytic	47μF	16V
C 122	0245018	ceramic, discal	0.02μF Z	15V	C 245	0245018	ceramic, discal	0.02μF	15V
C 123	0221339	styrol	1500pF ±5%	35V	C 248	0276011	mylar, film	0.1μF	50V
C 124	0248647	ceramic, discal	7pF ±0.5pF	50V	C 249	0276011	mylar, film	0.1μF	50V
C 126	0252611	electrolytic	1μF	25V	C 250	0274015	mylar, film	4700pF	
C 127	0245018	ceramic, discal	0.02μF Z	15V	C 251	0274015	mylar, film	4700pF	
C 128	0245017	ceramic, discal	0.01μF Z	15V	C 260	0248684	ceramic, discal	100pF ±5%	
C 129	0245017	ceramic, discal	0.01μF Z	15V	C 262	0274014	mylar, film	0.0033μF	
C 132	0245018	ceramic, discal	0.02μF Z	25V	for PRE-AMPLIFIER CIRCUIT BOARD				
C 134	0245018	ceramic, discal	0.02μF Z	15V	C 401	0276011	mylar, film	0.1μF ±10%	
VC1~5	0282098	variable capacitor			C 402	0276011	mylar, film	0.1μF ±10%	
TC 5	0283113	Trimmer			C 403	0252225	electrolytic	47μF	6.3V
for AM-FM IF MPX CIRCUIT BOARD									
C 201	0248634	ceramic, discal	4pF ±0.25pF	50V	C 404	0252225	electrolytic	47μF	6.3V
C 202	0245018	ceramic, discal	0.02μF	15V	C 405	0276011	mylar, film	0.1μF ±10%	
C 203	0245018	ceramic, discal	0.02μF	15V	C 406	0276011	mylar, film	0.1μF ±10%	
C 204	0245018	ceramic, discal	0.02μF	15V	C 407	0275016	mylar, film	0.068μF±10%	
C 205	0248695	ceramic, discal	300pF ±5%	50V	C 408	0275016	mylar, film	0.068μF±10%	
C 206	0246007	ceramic, discal	0.1μF	15V	C 409	0243509	ceramic, discal	470pF ±10%	
C 208	0248633	ceramic, discal	3pF ±0.25pF	50V	C 410	0243509	ceramic, discal	470pF±10%	
C 209	0245018	ceramic, discal	0.02μF	15V	C 411	0252831	electrolytic	100μF	50V
C 210	0245018	ceramic, discal	0.02μF	15V	for SUB CIRCUIT BOARD				
C 211	0248634	ceramic, discal	4pF ±0.25pF	50V	C 501	0275012	mylar, film	0.015μF	
C 212	0248632	ceramic, discal	2pF ±0.25pF	50V	C 502	0275012	mylar, film	0.015μF	
C 213	0246007	ceramic, discal	0.1μF	15V	C 520	0252222	electrolytic	22μF	6.3V
C 214	0248636	ceramic, discal	6pF ±0.25pF	50V	for MAIN AMPLIFIER CIRCUIT BOARD				
C 215	0245018	ceramic, discal	0.02μF	15V	C 601	0275011	mylar, film	0.01μF ±10%	
C 216	0245018	ceramic, discal	0.02μF	15V	C 602	0275011	mylar, film	0.01μF ±10%	
C 217	0248633	ceramic, discal	3pF ±0.25pF	50V	C 603	0252631	electrolytic	100μF	25V
C 218	0248676	ceramic, discal	47pF ±5%	50V	C 604	0252631	electrolytic	100μF	25V
C 219	0245018	ceramic, discal	0.02μF	15V	C 605	0248720	ceramic, discal	68pF ±10%	
C 220	0245018	ceramic, discal	0.02μF	15V	C 606	0248720	ceramic, discal	68pF ±10%	
C 221	0276113	mylar, film	0.22μF		C 607	0252231	electrolytic	100μF	6.3V
C 222	0248684	ceramic, discal	100pF ±5%	50V	C 608	0252231	electrolytic	100μF	6.3V
C 223	0221322	styrol	300pF ±5%		C 609	0252631	electrolytic	100μF	25V
					C 610	0252631	electrolytic	100μF	25V
					C 611	0252835	electrolytic	470μF	50V
					C 612	0252835	electrolytic	470μF	50V

MODEL DPK-340 SERVICE MANUAL

SYMBOL NO.	STOCK NO.	DESCRIPTION				SYMBOL NO.	STOCK NO.	DESCRIPTION			
C 613	0275015	mylar, film	0.047 μ F \pm 10%		R 208	0114523	carbon film	15k Ω \pm 10%		SRD $\frac{1}{4}$ P	
C 614	0275015	mylar, film	0.047 μ F \pm 10%		R 209	0114446	carbon film	270 Ω \pm 10%		SRD $\frac{1}{4}$ P	
C 615	0252515	electrolytic	4.7 μ F	16V	R 210	0114469	carbon film	4.7k Ω \pm 10%		SRD $\frac{1}{4}$ P	
C 616	0252515	electrolytic	4.7 μ F	16V	R 211	0114461	carbon film	1k Ω \pm 10%		SRD $\frac{1}{4}$ P	
C 617	0252515	electrolytic	4.7 μ F	16V	R 212	0114461	carbon film	1k Ω \pm 10%		SRD $\frac{1}{4}$ P	
C 618	0252515	electrolytic	4.7 μ F	16V	R 213	0114444	carbon film	180 Ω \pm 10%		SRD $\frac{1}{4}$ P	
C 619	0275014	mylar, film	0.033 μ F \pm 10%		R 214	0114461	carbon film	1k Ω \pm 10%		SRD $\frac{1}{4}$ P	
C 620	0275014	mylar, film	0.033 μ F \pm 10%		R 215	0114464	carbon film	1.8k Ω \pm 10%		SRD $\frac{1}{4}$ P	
C 621	0274015	mylar, film	0.0047 μ F \pm 10%		R 216	0114441	carbon film	100 Ω \pm 10%		SRD $\frac{1}{4}$ P	
C 622	0274015	mylar, film	0.0047 μ F \pm 10%		R 217	0114549	carbon film	470k Ω \pm 10%		SRD $\frac{1}{4}$ P	
C 623	0275012	mylar, film	0.015 μ F \pm 10%		R 218	0114470	carbon film	5.6k Ω \pm 10%		SRD $\frac{1}{4}$ P	
C 624	0275012	mylar, film	0.015 μ F \pm 10%		R 219	0114461	carbon film	1k Ω \pm 10%		SRD $\frac{1}{4}$ P	
C 627	0274013	mylar, film	0.0022 μ F \pm 10%		R 220	0114461	carbon film	1k Ω \pm 10%		SRD $\frac{1}{4}$ P	
C 628	0274013	mylar, film	0.0022 μ F \pm 10%		R 221	0114549	carbon film	470k Ω \pm 10%		SRD $\frac{1}{4}$ P	
C 631	0245408	ceramic, discal	0.01 μ F	M 500WV	R 222	0114547	carbon film	330k Ω \pm 10%		SRD $\frac{1}{4}$ P	
C 632	0245408	ceramic, discal	0.01 μ F	M 500WV	R 223	0114467	carbon film	3.3k Ω \pm 10%		SRD $\frac{1}{4}$ P	
C 633	0252533	electrolytic	330 μ F	16V	R 224	0114469	carbon film	4.7k Ω \pm 10%		SRD $\frac{1}{4}$ P	
C 634	0252831	electrolytic	100 μ F	50V	R 225	0114521	carbon film	10k Ω \pm 10%		SRD $\frac{1}{4}$ P	
for CHASSIS ASSEMBLY					R 226	0114461	carbon film	1k Ω \pm 10%		SRD $\frac{1}{4}$ P	
C 1	0259741	electrolytic	2000 μ F	50V	R 227	0114467	carbon film	3.3k Ω \pm 10%		SRD $\frac{1}{4}$ P	
C 2	0243873	ceramic, discal	0.0047 μ F		R 228	0114466	carbon film	2.7k Ω \pm 10%		SRD $\frac{1}{4}$ P	
C 3	0252525	electrolytic	47 μ F	16V	R 229	0114466	carbon film	2.7k Ω \pm 10%		SRD $\frac{1}{4}$ P	
C 5	0248708	ceramic, discal	22pF \pm 10%		R 232	0114449	carbon film	470 Ω \pm 10%		SRD $\frac{1}{4}$ P	
C 6	0248708	ceramic, discal	22pF \pm 10%		R 233	0114524	carbon film	18k Ω \pm 10%		SRD $\frac{1}{4}$ P	
RESISTORS					R 234	0114469	carbon film	4.7k Ω \pm 10%		SRD $\frac{1}{4}$ P	
for AM-FM RF CIRCUIT BOARD					R 235	0114524	carbon film	18k Ω \pm 10%		SRD $\frac{1}{4}$ P	
R 101	0138449	carbon film	47k Ω \pm 10%	SRD $\frac{1}{4}$ SD	R 236	0114523	carbon film	15k Ω \pm 10%		SRD $\frac{1}{4}$ P	
R 102	0138361	carbon film	100 Ω \pm 10%	SRD $\frac{1}{4}$ SD	R 237	0114531	carbon film	68k Ω \pm 10%		SRD $\frac{1}{4}$ P	
R 103	0138384	carbon film	8.2k Ω \pm 10%	SRD $\frac{1}{4}$ SD	R 238	0138379	carbon film	3.3k Ω \pm 10%		SRD $\frac{1}{4}$ SD	
R 104	0114465	carbon film	2.2k Ω \pm 10%	SRD $\frac{1}{4}$ P	R 239	0114523	carbon film	15k Ω \pm 10%		SRD $\frac{1}{4}$ P	
R 105	0138378	carbon film	2.7k Ω \pm 10%	SRD $\frac{1}{4}$ SD	R 240	0114521	carbon film	10k Ω \pm 10%		SRD $\frac{1}{4}$ P	
R 106	0138365	carbon film	220 Ω \pm 10%	SRD $\frac{1}{4}$ SD	R 241	0114531	carbon film	68k Ω \pm 10%		SRD $\frac{1}{4}$ P	
R 107	0138443	carbon film	15k Ω \pm 10%	SRD $\frac{1}{4}$ SD	R 242	0114543	carbon film	150k Ω \pm 10%		SRD $\frac{1}{4}$ P	
R 108	0138377	carbon film	2.2k Ω \pm 10%	SRD $\frac{1}{4}$ SD	R 243	0138455	carbon film	150k Ω \pm 10%		SRD $\frac{1}{4}$ SD	
R 109	0138370	carbon film	560 Ω \pm 10%	SRD $\frac{1}{4}$ SD	R 247	0114527	carbon film	33k Ω \pm 10%		SRD $\frac{1}{4}$ P	
R 110	0138379	carbon film	3.3k Ω \pm 10%	SRD $\frac{1}{4}$ SD	R 248	0138366	carbon film	270 Ω \pm 10%		SRD $\frac{1}{4}$ SD	
R 112	0138379	carbon film	3.3k Ω \pm 10%	SRD $\frac{1}{4}$ SD	R 260	0114450	carbon film	560 Ω \pm 10%		SRD $\frac{1}{4}$ P	
R 113	0114525	carbon film	22k Ω \pm 10%	SRD $\frac{1}{4}$ P	R 261	0114532	carbon film	82k Ω \pm 10%		SRD $\frac{1}{4}$ P	
R 114	0114442	carbon film	120 Ω \pm 10%	SRD $\frac{1}{4}$ P	R 262	0114532	carbon film	82k Ω \pm 10%		SRD $\frac{1}{4}$ P	
R 115	0114463	carbon film	1.5k Ω \pm 10%	SRD $\frac{1}{4}$ P	R 263	0114472	carbon film	8.2k Ω \pm 10%		SRD $\frac{1}{4}$ P	
R 116	0114465	carbon film	2.2k Ω \pm 10%	SRD $\frac{1}{4}$ P	for PRE-AMPLIFIER CIRCUIT BOARD						
R 117	0138449	carbon film	47k Ω \pm 10%	SRD $\frac{1}{4}$ SD	R 401	0138445	carbon film	22k Ω \pm 10%		SRD $\frac{1}{4}$ SD	
R 118	0138361	carbon film	100 Ω \pm 10%	SRD $\frac{1}{4}$ SD	R 402	0138445	carbon film	22k Ω \pm 10%		SRD $\frac{1}{4}$ SD	
R 119	0138367	carbon film	330 Ω \pm 10%	SRD $\frac{1}{4}$ SD	R 403	0138443	carbon film	15k Ω \pm 10%		SRD $\frac{1}{4}$ SD	
R 120	0138373	carbon film	1k Ω \pm 10%	SRD $\frac{1}{4}$ SD	R 404	0138443	carbon film	15k Ω \pm 10%		SRD $\frac{1}{4}$ SD	
R 121	0138361	carbon film	100 Ω \pm 10%	SRD $\frac{1}{4}$ SD	R 405	0112537	carbon film	220k Ω \pm 10%		NLRD $\frac{1}{4}$ P	
R 123	0138369	carbon film	470 Ω \pm 10%	SRD $\frac{1}{4}$ SD	R 406	0112537	carbon film	220k Ω \pm 10%		NLRD $\frac{1}{4}$ P	
R 124	0114467	carbon film	3.3k Ω \pm 10%	SRD $\frac{1}{4}$ P	R 407	0112385	carbon film	8.2k Ω \pm 10%		NLRD $\frac{1}{4}$ P	
R 125	0138293	carbon film	22 Ω \pm 10%	SRD $\frac{1}{4}$ P	R 408	0112385	carbon film	8.2k Ω \pm 10%		NLRD $\frac{1}{4}$ P	
R 126	0134373	composition	1k Ω \pm 10%	RC $\frac{1}{2}$ GF	R 409	0138372	carbon film	820 Ω \pm 10%		SRD $\frac{1}{4}$ SD	
for AM-FM IF MPX CIRCUIT BOARD					R 410	0138372	carbon film	820 Ω \pm 10%		SRD $\frac{1}{4}$ SD	
R 201	0114523	carbon film	15k Ω \pm 10%	SRD $\frac{1}{4}$ P	R 411	0138384	carbon film	8.2k Ω \pm 10%		SRD $\frac{1}{4}$ SD	
R 202	0114466	carbon film	2.7k Ω \pm 10%	SRD $\frac{1}{4}$ P	R 412	0138384	carbon film	8.2k Ω \pm 10%		SRD $\frac{1}{4}$ SD	
R 203	0114462	carbon film	1.2k Ω \pm 10%	SRD $\frac{1}{4}$ P	R 413	0134374	composition	1.2k Ω		RC $\frac{1}{2}$ GF	
R 204	0114469	carbon film	4.7k Ω \pm 10%	SRD $\frac{1}{4}$ P	for SUB CIRCUIT BOARD						
R 205	0114443	carbon film	150 Ω \pm 10%	SRD $\frac{1}{4}$ P	R 505	0114531	carbon film	68k Ω \pm 10%		SRD $\frac{1}{4}$ P	
R 206	0114445	carbon film	220 Ω \pm 10%	SRD $\frac{1}{4}$ P	R 506	0114531	carbon film	68k Ω \pm 10%		SRD $\frac{1}{4}$ P	
R 207	0114468	carbon film	3.9k Ω \pm 10%	SRD $\frac{1}{4}$ P	R 507	0114524	carbon film	18k Ω \pm 10%		SRD $\frac{1}{4}$ P	
					R 508	0114524	carbon film	18k Ω \pm 10%		SRD $\frac{1}{4}$ P	
					R 509	0138452	carbon film	82k Ω \pm 10%		SRD $\frac{1}{4}$ SD	

MODEL DPK-340 SERVICE MANUAL

SYMBOL NO.	STOCK NO.	DESCRIPTION			SYMBOL NO.	STOCK NO.	DESCRIPTION
R 510	0138452	carbon film	82kΩ ±10%	SRD¼SD	Q 102	0573507	2SC 461 ⑥
R 513	0138384	carbon film	8.2kΩ ±10%	SRD¼SD	Q 103	0573491	2SC454 ⑥
R 514	0138384	carbon film	8.2kΩ ±10%	SRD¼SD	FET 101	2327142	3SK30
R 520	0138384	carbon film	8.2kΩ ±10%	SRD¼SD	for AM-FM IF MPX CIRCUIT BOARD		
R 521	0114466	carbon film	2.7kΩ ±10%	SRD¼P	Q 201	0573486	2SC460 ⑥
for MAIN AMPLIFIER CIRCUIT BOARD					Q 202	0573486	2SC460 ⑥
R 601	0114467	carbon film	3.3kΩ ±10%	SRD¼P	Q 203	0573486	2SC460 ⑥
R 602	0114467	carbon film	3.3kΩ ±10%	SRD¼P	Q 204	0573486	2SC460 ⑥
R 603	0114448	carbon film	390Ω ±10%	SRD¼P	Q 205	2320063	2SC458 ⑥
R 604	0114448	carbon film	390Ω ±10%	SRD¼P	Q 206	2320063	2SC458 ⑥
R 605	0112467	carbon film	22kΩ ±10%	NLRD¼P	Q 207	2327332	2SC1213 ⑥
R 606	0112467	carbon film	22kΩ ±10%	NLRD¼P	Q 208	2320063	2SC458 ⑥
R 607	0112168	carbon film	470kΩ ±5%	SRD¼P	Q 209	2327262	2SA672 ⑥
R 608	0112168	carbon film	470kΩ ±5%	SRD¼P	for PRE-AMPLIFIER CIRCUIT BOARD		
R 609	0114449	carbon film	470Ω ±10%	SRD¼P	Q 401	2320073	2SC458LG ⑥
R 610	0114449	carbon film	470Ω ±10%	SRD¼P	Q 402	2320073	2SC458LG ⑥
R 611	0114451	carbon film	680Ω ±10%	SRD¼P	for MAIN AMPLIFIER CIRCUIT BOARD		
R 612	0114451	carbon film	680Ω ±10%	SRD¼P	Q 601	2327262	2SA672 ⑥
R 613	0114464	carbon film	1.8kΩ ±10%	SRD¼P	Q 602	2327262	2SA672 ⑥
R 614	0114464	carbon film	1.8kΩ ±10%	SRD¼P	Q 603	2327293	2SC1213A ⑥
R 615	0114446	carbon film	270Ω ±10%	SRD¼P	Q 604	2327293	2SC1213A ⑥
R 616	0114446	carbon film	270Ω ±10%	SRD¼P	Q 605	2327292	2SC1213A ⑥
R 617	0114377	carbon film	33Ω ±10%	SRD¼P	Q 606	2327292	2SC1213A ⑥
R 618	0114377	carbon film	33Ω ±10%	SRD¼P	Q 607	2327282	2SA673A ⑥
R 619	0114446	carbon film	270Ω ±10%	SRD¼P	Q 608	2327282	2SA673A ⑥
R 620	0114446	carbon film	270Ω ±10%	SRD¼P	Q 609	2327203	2SC1060 ⑥
R 621	0119017	carbon film	0.47Ω	RN1B	Q 610	2327203	2SC1060 ⑥
R 622	0119017	carbon film	0.47Ω	RN1B	Q 611	2327203	2SC1060 ⑥
R 623	0119017	carbon film	0.47Ω	RN1B	Q 612	2327203	2SC1060 ⑥
R 624	0119017	carbon film	0.47Ω	RN1B	DIODES		
R 625	0134294	carbon film	27Ω ±10%	RC½GF-T	for AM-FM RF CIRCUIT BOARD		
R 626	0134294	carbon film	27Ω ±10%	RC½GF-T	CR 101	0575010	1S85
R 627	0114467	carbon film	3.3kΩ ±10%	SRD¼P	CR 102	0575019	1N60P
R 628	0114467	carbon film	3.3kΩ ±10%	SRD¼P	for AM-FM IF MPX CIRCUIT BOARD		
R 629	0114530	carbon film	56kΩ ±10%	SRD¼P	CR 201	2337011	1S2076
R 630	0114530	carbon film	56kΩ ±10%	SRD¼P	CR 202	0575019	1N60P
R 631	0114472	carbon film	8.2kΩ ±10%	SRD¼P	CR 203	0575019	1N60P
R 632	0114472	carbon film	8.2kΩ ±10%	SRD¼P	CR 204	0575019	1N60P
R 633	0114462	carbon film	1.2kΩ ±10%	SRD¼P	CR 205	0575002	1N34A
R 634	0114462	carbon film	1.2kΩ ±10%	SRD¼P	CR 206	0575002	1N34A
R 635	0114462	carbon film	1.2kΩ ±10%	SRD¼P	CR 207	0575019	1N60P
R 636	0114117	carbon film	820Ω ±10%	RD2PA	CR 208	0575019	1N60P
R 637	0114117	carbon film	820Ω ±10%	RD2PA	CR 209	0575019	1N60P
R 638	0134362	composition	120Ω ±10%	RC½GF-T	CR 210	0575019	1N60P
R 639	0114117	carbon film	820Ω ±10%	RD2PA	CR 211	0575002	1N34A
R 640	0134366	composition	270Ω ±10%	RC½GF-T	CR 212	0575002	1N34A
R 641	0134378	composition	2.7kΩ ±10%	RC½GF-T	for MAIN AMPLIFIER CIRCUIT BOARD		
R 647	0138299	carbon film	68Ω ±10%	SRD¼SD	CR 601	2327041	V06C
R 648	0138299	carbon film	68Ω ±10%	SRD¼SD	CR 602	2327041	V06C
TH 601	0576041	Thermister	270Ω ±15%		CR 603	2327041	V06C
TH 602	0576041	Thermister	270Ω ±15%		CR 604	2327041	V06C
for CHASSIS ASSEMBLY					CR 605	2327041	V06C
R 1	0114461	carbon film	1kΩ ±10%	SRD¼P	CR 606	2327041	V06C
R 2	0114447	carbon film	330Ω ±10%	SRD¼P	CR 607	2327041	V06C
R 3	0114445	carbon film	220Ω ±10%	SRD¼P	CR 608	2327041	V06C
R 4	0134363	composition	150Ω ±10%	RC½GF	TRANSISTORS		
R 5	0134363	composition	150Ω ±10%	RC½GF	for AM-FM RF CIRCUIT BOARD		
R 6	0139005	composition	27MΩ ±10%	RC½GF	Q 101	0573510	2SC535 ⑥
R 7	0134372	carbon film	820Ω ±10%	RC½GF			
R 9	0114545	carbon film	220kΩ ±10%	SRD¼P			
R 10	0114449	carbon film	470Ω ±10%	SRD¼P			
R 11	0114521	carbon film	10kΩ ±10%	SRD¼P			
R 12	0114521	carbon film	10kΩ ±10%	SRD¼P			

MODEL DPK-340 SERVICE MANUAL

SYMBOL NO.	STOCK NO.	DESCRIPTION	SYMBOL NO.	STOCK NO.	DESCRIPTION	
CR 609	2327074	AW01-13				
COILS & TRANSFORMERS						
for AM-FM RF CIRCUIT BOARD						
T 101	2134062	FM antenna coil	F 1, 3 F 2	2767201	Lamp - pilot lamp (6.3V, 0.25A) (for tuning meter)	
T 102	0322327	FM IF transformer		2720022	Socket - pilot lamp socket	
T 103	2140441	AM IF transformer		2740241	Cord - AC power cord	
L 101	2134051	FM RF coil		0043793	Bushing (for AC power cord)	
L 102	2134041	FM trap coil		2727062	Holder - fuse holder	
L 103	2120034	AM OSC coil		2727082	Fuse - wired in fuse (1.5A)	
L 104	2134054	FM OSC coil		2720032	Fuse - fuse (2.5A, FAST)	
for AM-FM IF MPX CIRCUIT BOARD						
T 201	2140151	FM IF transformer		2667081	Connector - AC player plug	
T 202	0322203	FM IF transformer		2670061	Pin jack - 2P US pin jack	
T 203	2134361	AM IF transformer		2687171	2 pin terminal board	
T 204	0322203	FM IF transformer		2681353	3 pin antenna terminal board	
T 205	2134362	AM IF transformer		0544404	6 pin terminal board	
T 206	2134123	FM discriminator transformer		0544384	4 pin terminal board	
T 207	2134124	FM discriminator transformer		3715321	Holder - printed circuit board holder	
T 208	0313062	19kHz tuning coil		2757071	Ferrite antenna	
T 209	0313062	19kHz tuning coil	2747061	Phono cord assembly		
L 201	5120145	71kHz trap coil	2637321	Switch - push button switch		
L 202	0323002	67kHz trap coil	4513311	Screw - earth screw		
L 203	0324005	19kHz trap coil	FOR FINAL ASSEMBLY			
SF 201	2140403	Mechanical filter				
for CHASSIS ASSEMBLY						
L 4	2217133	Power transformer	3241493	Escutcheon assembly		
	2227032	Choke coil 2.2μH	3280712	Knob - Tuning knob		
VARIABLE RESISTORS						
for AM-FM IF MPX CIRCUIT BOARD						
VR 201	0151224	10kΩ - (B) adjust AM output	0044830	Ring - for tuning knob		
for PRE-AMPLIFIER CIRCUIT BOARD						
VR 401	0153686	100kΩ - (B) × 2	3280982	Knob - (Bass, Treble, others)		
VR 402	0153711	250kΩ (4BM)	4740633	Ring - for Bass knob, others		
VR 403	0156137	100kΩ - (C) × 2	4741531	Screen		
VR 404	0156136	250kΩ - (D)(0.5A) × 2	3710471	Cap - headphone cap		
for MAIN AMPLIFIER CIRCUIT BOARD						
VRT 601	0151223	200Ω - (B)	4703121	4φ × 20 bolt		
VRT 602	0151223	200Ω - (B)	0040045	Washer for chassis mounting		
MISCELLANEOUS						
	2518812	AM FM RF circuit board assembly	FOR DIAL MECHANISM ASSEMBLY			
	2518691	AM FM IF MPX circuit board assembly	3386391	Dial pointer assembly		
	2518194	Pre-amplifier circuit board assembly	3197911	Dial scale		
	2518681	Sub circuit board assembly	4680581	Washer - rubber washer (for dial scale plate)		
	2518671	Main amplifier circuit board assembly	4512993	Spacer (for dial scale plate)		
CP 201	0599723	CR couplate	4680281	Indicator cover		
CP 202	0186003	CR couplate	3910173	Indicator		
CP 203	0186007	CR couplate	4562184	Tuning shaft assembly		
CP 204	0186007	CR couplate	4784311	Flywheel		
	2637201	Switch - lever switch	3712284	40φ pulley		
	2617172	Switch - rotary switch	0662084	Spring		
	2637251	Switch - push button switch	0666704	Dial cord holding fixture		
	2677062	Jack - headphone jack	0680891	Washer - 9φ washer		
	2577091	Tuning meter	8829002	9φ nut (for tuning shaft)		
	2767081	Lamp - multi indicator lamp	4113441	9φ nut (for headphone jack)		
	2760051	Lamp - pilot lamp (6.3V, 0.15A) (for dial scale plate lighting)	4784101	3 × 8φ baird tapping screw		
			FOR SPEAKER CABINET ASSEMBLY			
			4770254	Nut - nut with washer		
			4926211	Back panel assembly		
			4924431	Back panel		
			4741594	Absorbing material		
			8755410	3.1φ × 20 screw (for speaker back panel fixing)		
			2400201	Speaker - 6½in. (16cm) speaker		
			2400101	Speaker - 2 in. (5cm) speaker		
			C1S, C2S	0257052	Electrolytic capacitor (1.5μF, 50V)	
				2747114	Speaker cord	
			FOR CENTER CABINET ASSEMBLY			
			4926201	Center cabinet assembly		
			3915291	Dust cover assembly		
			4369411	HITACHI mark (for dust cover)		
			4371331	Hinge		

HITACHI SALES CORPORATION OF AMERICA

New York 48 · 50, 34th Street, Long Island City, N.Y. 11101
Tel. (212) 361 · 3090
Chicago 1400 Morse Ave., Elk Grove Village, Chicago,
Illinois 60007 Tel. (312) 593-7500
Los Angeles 2550 Santa Fe Ave. Redondo Beach Calif. 90278
Tel. (213) 644-3655 (213) 772-6571
Dallas 1121 Round Table Drive, Dallas, Texas 75247
Tel. (214) 638-5820

HITACHI SALES CORPORATION OF HAWAII, INC.

743-G Waiakamilo Road, Honolulu, Hawaii 96817
Tel. 841-431

HITACHI SALES CORPORATION OF CANADA LTD.

9601 Cote De Liesse Rd. Dorval 760, P.Q.



Head Office : 5-1, 1-chome, Marunouchi, Chiyoda-ku, Tokyo
Tel. Tokyo (212) 1111 (80 lines)
Cable Address : "HITACHY" TOKYO
Codes : All Codes Used